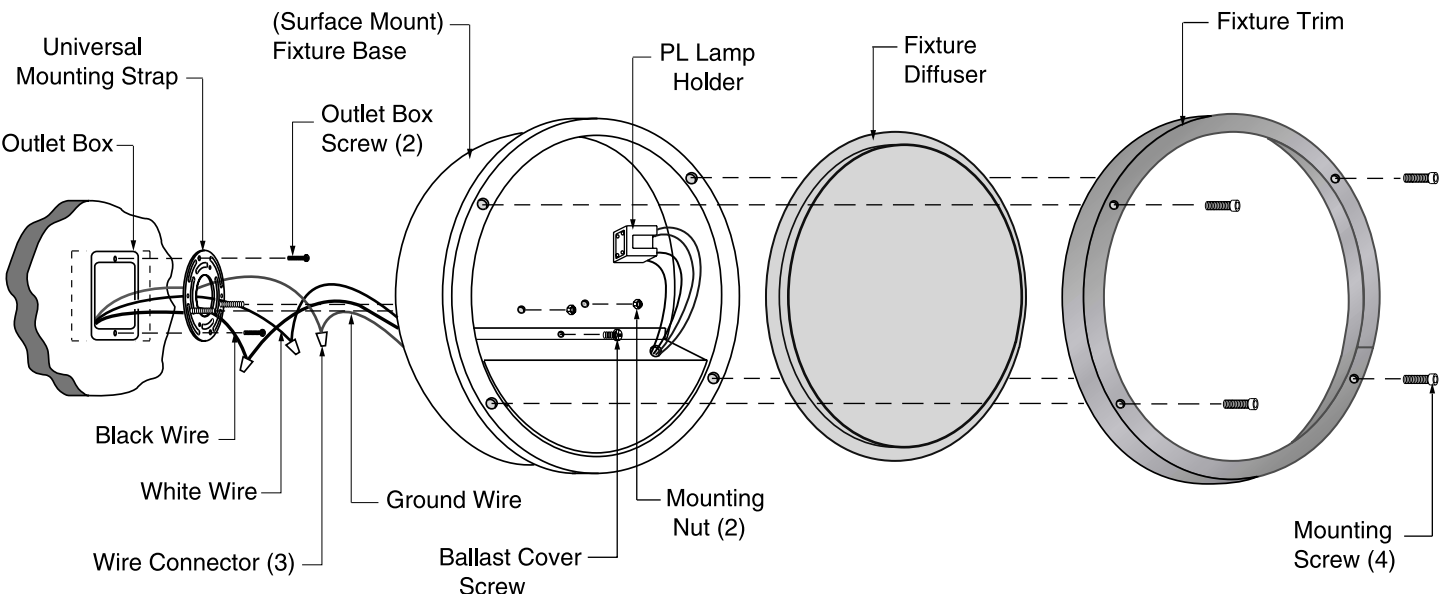


INSTALLATION OPERATION INSTRUCTIONS

PREPARING THE FIXTURE

- WARNING** - Before starting the installation, disconnect the power by turning off the circuit breaker or removing the fuse at the fuse box. Turning the power off using the light switch is not sufficient to prevent electrical shock.
- If you are replacing an existing fixture, disconnect and remove the old fixture. Expose the supply wiring from the Outlet-Box.
- Fasten the Universal Mounting Strap (provided) to the Outlet-Box using the two Screws, (by others) as shown in figure below.
- Make electrical connections: Connect grounding wire (green or bare copper) from the supply circuit to the bare copper wire from the fixture. Connect the white wire from the fixture to the white wire of the supply circuit. Connect the black wire from the fixture to the black wire of the supply circuit. Use U.L. Listed wire connectors (by others). Secure wire connectors with U.L. Listed electrical tape (by others).
- Place the Fixture against mounting surface allowing the two machine screws to pass through the holes of the Fixture Housing. Fasten it with the Mounting nuts (provided).
- Install the lamp(s) (by others) **Do Not Exceed Recommended Wattage.**
- Install Fixture Trim with the four Mounting Screws (provided) as shown in figure below.

IMPORTANT: In order to comply with established electrical code, the installer must seal the area around the Fixture Base and the Wall, with type of caulking compound such as GE 100% or Dow Corning 100% silicone to provide a watertight seal in accordance with the differing surface textures of the wall.



FOR ALL SURFACE WALL MOUNT **- WALL SCONCES -**