

LUMUX

Project :	Type:
-----------	-------

Agency :

Distributor :



Description : Aesthetically designed low copper aluminum die cast wall luminaire with frosted glass diffuser. You could architecturally enhance your design with this wall luminaire unit and its matching bollard. Vandal resistance stainless steel screws. Fully gasketed for tight weather operation. ETL listed for wet location.

SPECIFICATION:

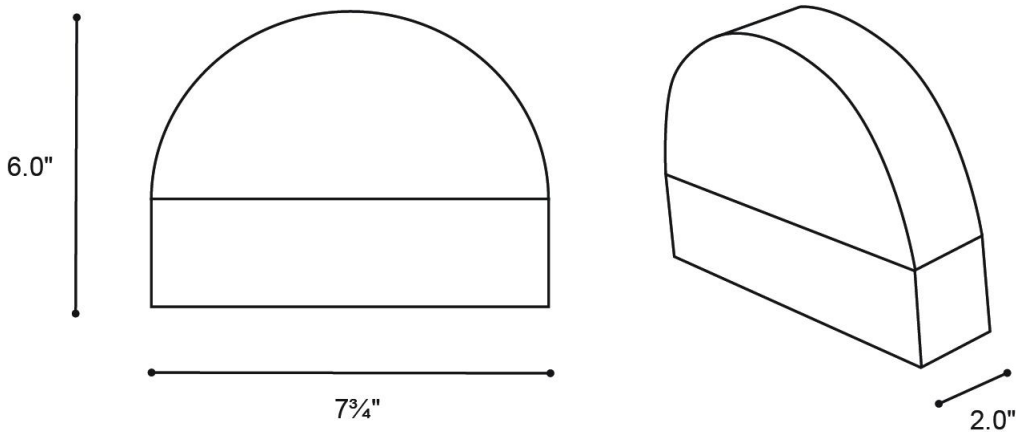
Housing : Low copper aluminum die cast. Vandal resistance stainless steel screws. Silicon gasketed for weather tight operation.

Diffuser : Frosty glass diffuser..

Electrical : Voltage : 120 / 277
CREE LED

Installation: Unit is provided with standard cross bar bracket.

DIMENSIONS:



Lumux reserves the right to modify the above details to reflect changes in the cost of materials and/or design without prior notice.

Lumux - WS-BL600

Lumux Lighting Inc	877-895-5552	Rev : A	Drawing Number WS-BL600
--------------------	--------------	---------	----------------------------

LUMUX

Date :

Project :

Type:

Agency :

Distributor :

ORDERING GUIDE:

WS-BL600/LED/120-277/Finish

Wattage	Voltage	Lumen	CRI	Temp.	B. Angle
3	120/277	220	70	4000K	120

Finish
Black
White
Silver
D. Bronze
RAL
(optional)

Lumux - WS-BL600

PROJECT NOTES:

Comments

Approval

Lumux reserves the right to modify the above details to reflect changes in the cost of materials and/or design without prior notice.

Lumux Lighting Inc

877-895-5552

Rev :A

Drawing Number
WS-BL600