

LUMUX

LIGHT COLUMN BL344-TALL

DATE: _____
PROJECT: _____
FIRM: _____
CATALOG NO.: _____
COMMENTS: _____

The Lumux BL344-Tall is an elegant, architectural light column that excels at defining spaces, both in the day time and at night. It offers a distinctive contemporary yet minimalistic design and is ideal for illuminating large areas as well as path lighting. A powerful outdoor LED solution, the BL344-Tall offers high performance, while a polycarbonate diffuser maximizes visual comfort and reduces glare. It is constructed from heavy-duty aluminum extrusion, providing long-lasting stability and durability that meets the highest standards.

Housing: Heavy-duty construction of corrosion resistant, low copper extruded aluminum. All fasteners are vandal resistant stainless-steel screws.

Lens: Sealed one-piece, shatter proof, UV-rated polycarbonate lens.

Mounting: Secures with galvanized anchor bolts.

Installation: Mounting footplate (refer to diagram).

Finish: Zinc polyester powder coat finish in black, white, silver, bronze, or any custom RAL color. Consult factory for marine grade or anti-microbial finish.

Driver: Constant current and universal input voltage 120-277v, starting temperature rated at -20°F. Dimmable option available (0-10v).

Gasket: Closed cell silicon foam gasket that seals out moisture, dust, and insects for weather tight operation.

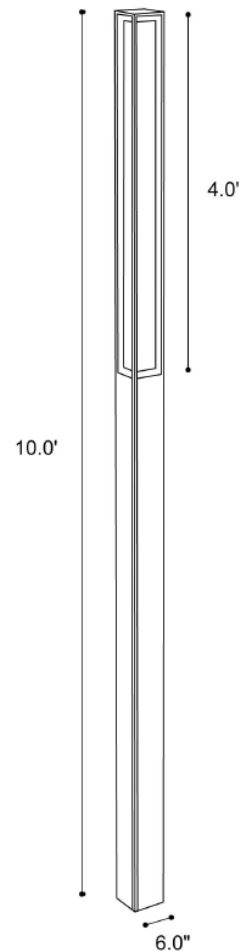
Protection Class: IP65, ETL Listed for wet locations.

CRI: 80

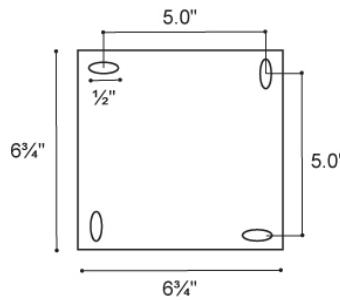
Warranty: 5 year limited warranty

Delivered Lumens & Wattage per color temperature:

2700K	3000K	3500K	4000K	WATTAGE
4800 lm	4800 lm	4800 lm	4800 lm	57W



Dimensions:



Anchor Bolt Foot Print

LUMUX

LIGHT COLUMN BL344-TALL

DATE: _____
 PROJECT: _____
 FIRM: _____
 CATALOG NO.: _____
 COMMENTS: _____

BL344-TALL light columns have optional 0-10v dimming, GFCI recepticle, and occupancy sensor, and color temperature options.

Ordering Guide

Catalog No.	LED Color	Color Temp ¹	Voltage	Finish	Options ²
BL344-TALL	White	2700K	120-277v	Black	<input type="checkbox"/> 0-10v Dimming <input type="checkbox"/> GFCI Dual Recepticle <input type="checkbox"/> Occupancy Sensor
		3000K		White	
		3500K		Silver	
		4000K		Bronze	
				Custom RAL ²	

¹Consult factory for additional options;

²Consult factory for additional pricing.

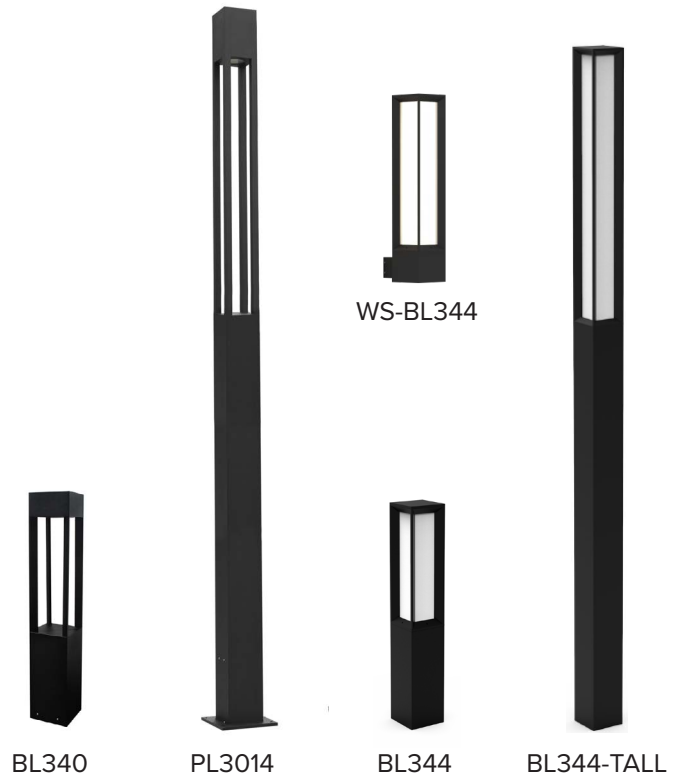
Catalog No.: _____

Performance Specifications	
Flux 4,800 lm (27K - 40K)	LER 85 lm/W
Power 57W	120-277v input voltage
Starting temp. rated to -20°F	GFCI dual recepticle option
Dimmable driver (0-10v) option	Occupancy sensor option
Lumen Maintenance*: L70 >60K hrs; L90 >50K hrs	

Environmental Specifications	
BUG rating B1-U5-G2	
CRI 80	Color temperature options
IP65	ETL listed for wet-locations
Effective Projected Area 6.0 ft2	Marine Grade option
5-year limited warranty	Made in the USA



Luminaires in this series



*Lumen Maintenance Report (CREE CXA2530):
https://cree-led.com/media/documents/LM80_Results.pdf

LUMUX

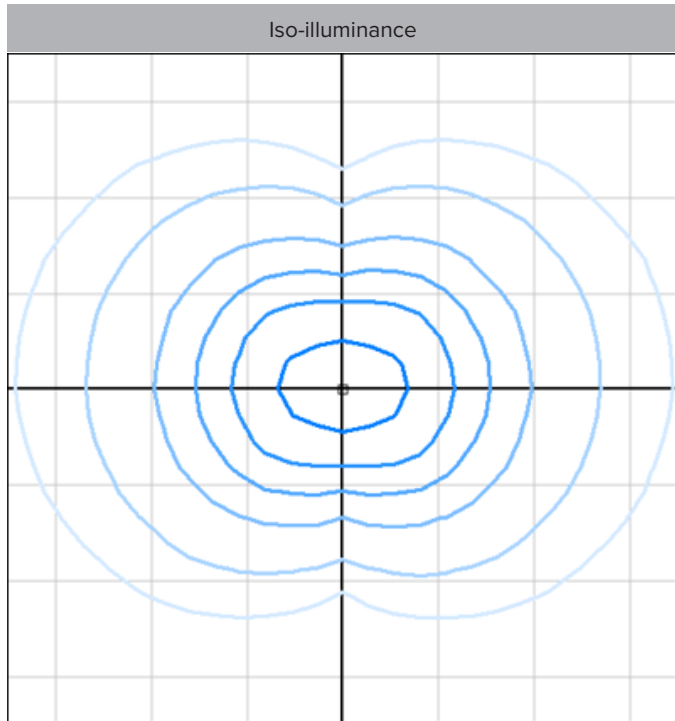
LIGHT COLUMN BL344-TALL

DATE: _____
 PROJECT: _____
 FIRM: _____
 CATALOG NO.: _____
 COMMENTS: _____

Photometry	IESNA: LM-63-2002
TEST: L9915_IESNA2002	TEST LAB: EVERFINE
LUMINAIRE: BL344-TALL	DATE: 2022-10-17
IES Classification: Type IV	Long. Class: Very Short
Luminaire Lumens*	4,848 (4000K)
Luminaire Efficacy Rating (LER)*	85
Total Luminaire Watts	57.07W
Upward Waste Light Ratio	0.50
Max. Candela*	590
Max. Cd. < 90° Vertical*	590
Max. Cd. (At 90 Deg. Vert.)*	450 (9.4% Luminaire lumens)
Max. Cd. (80 to <90 Deg. Vert.)*	450 (9.4% Luminaire lumens)
Cutoff Classification	N.A.
BUG Rating	B1-U5-G2

Technical aspects may change without notice. *c.f. spectrum test.

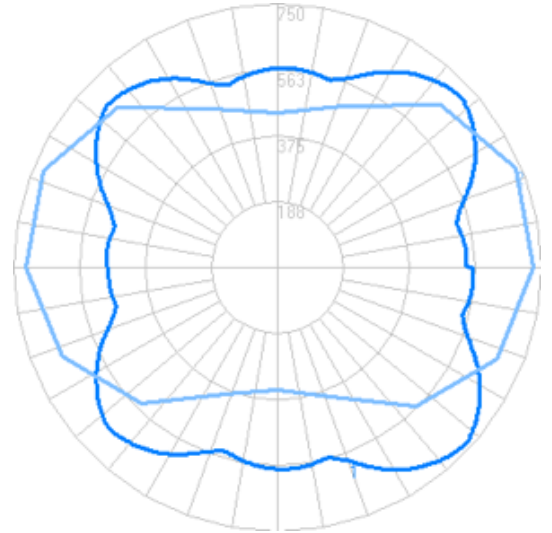
IES Mounting Height for photometry plans: 10'



Foot-candles: 0.1, 0.2, 0.5, 1, 2, 5 | Grid spacing 10'

Sample isoillumination plot. For actual values, use Lumux IES file with photometry software and correct surface reflectances.

Candela



Zonal Lumens*

LCS	Zone	Lumens	%Lum.
FL	(0-30)	190	3.9
FM	(30-60)	520	10.9
FH	(60-80)	350	7.3
FVH	(80-90)	154	3.2
BL	(0-30)	188	3.9
BM	(30-60)	513	10.7
BH	(60-80)	346	7.2
BVH	(80-90)	150	3.1
UL	(90-100)	300	6.3
UH	(100-180)	2083	43.5
Total		4800	100

